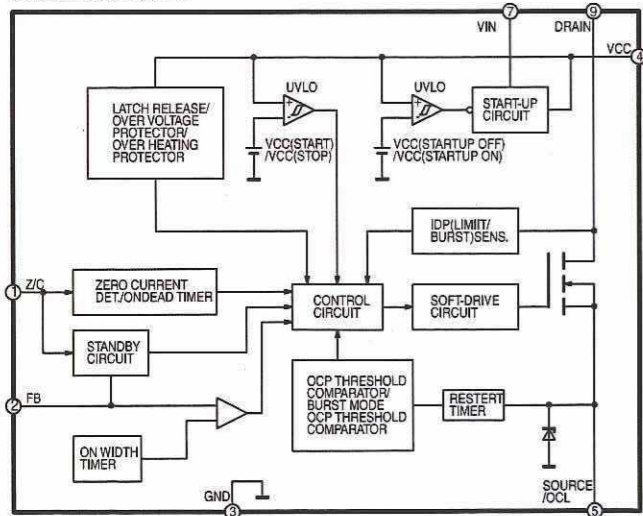


TO P1501
MAIN P.C.B.
(MAIN NET (14) SECTION)
P1102
K1K1B15AA00033

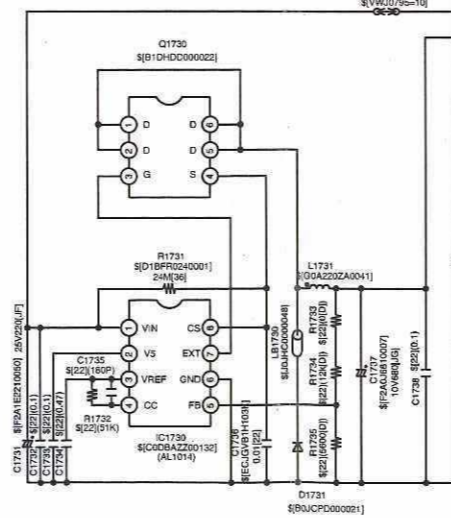
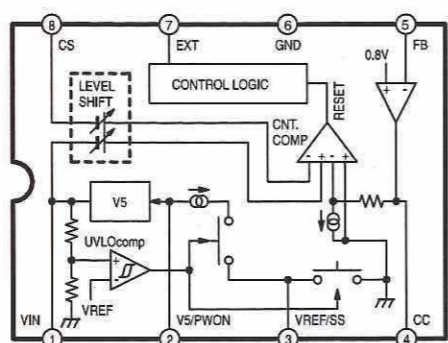
1	X SW38V
2	X SW38V
3	X SW38V
4	X SW38V
5	X SW38V
6	X SW38V
7	X SW38V
8	X SW38V
9	X SW38V
10	X SW38V
11	X SW38V
12	X SW38V
13	X SW38V
14	X SW38V
15	X SW38V
16	X SW38V

12 → 13V Pulsiert
314 J
16V

IC1150
SWITCHING IC
IC-DETAIL BLOCK DIAGRAM



IC1601
SWITCHING IC
IC-DETAIL BLOCK DIAGRAM



NOTE: PARTS INDICATED WITH 'S' MARK ARE NOT MOUNTED.

NOTE: DO NOT USE THE PART NUMBER SHOWN ON THIS DRAWING FOR ORDERING. THE CORRECT PART NUMBER IS SHOWN IN THE PARTS LIST AND MAY BE SLIGHTLY DIFFERENT OR AMENDED SINCE THIS DRAWING WAS PREPARED.

IMPORTANT SAFETY NOTICE: COMPONENTS IDENTIFIED WITH THE MARK HAVE THE SPECIAL CHARACTERISTICS FOR SAFETY. WHEN REPLACING ANY OF THESE COMPONENTS, ONLY THE SAME TYPE.